




POLYELECTROLYTE DOSING SYSTEMS

MANUAL

POLYELECTROLYTE DOSING SYSTEMS MANUAL

A) MIXING SYSTEM

P 200 - 5 000 L/h

 Slow moving



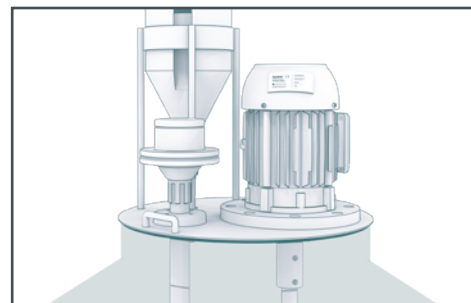
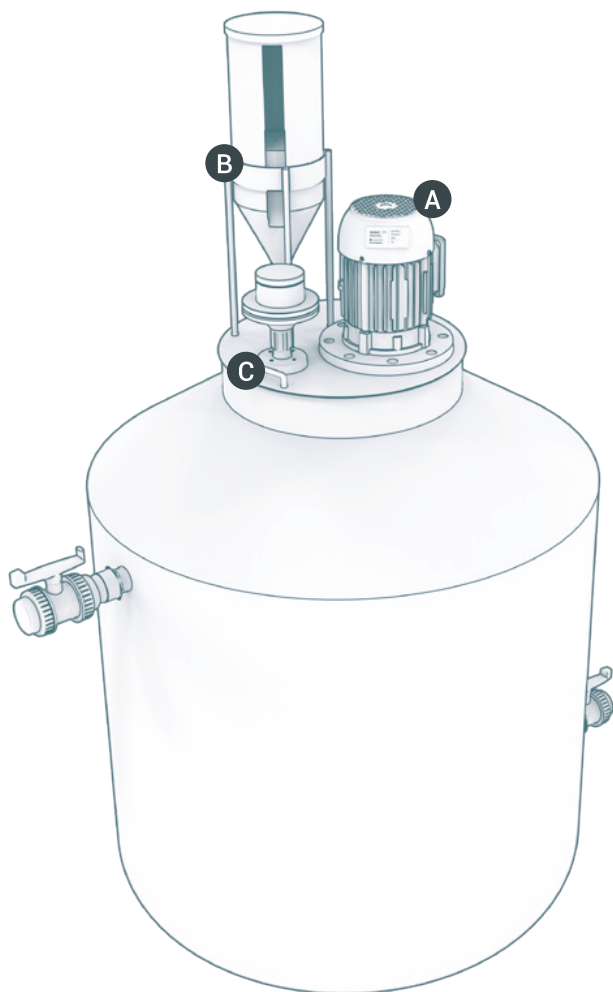
IEC: IE3
NEMA: High Premium

B) FUNNEL

- Dilution funnel with ball valve for manual regulation of polymer powder

C) DISPENSER

- Dosing pump for emulsion polymer



MANUFACTURING MATERIALS

- Carbon steel
- AISI 304
- AISI 316

POLYMER DEPOSITS AND USE

- 100% high density polyethylene
- Resistant to highly corrosive and abrasive substances
- Alimentary grade

OPTIONAL FEATURES

- Automatic level detector

OPTIONAL FEATURES

- ATEX protection
- Stainless steel housing
- Food grade oil
- Food grade epoxy paint



NEED HELP?

autmix.com
info@autmix.com

International
Coverage



United States
+1 956 658 9054
sales.us@autmix.com

Mexico
+52 442 224 5621
sales.mx@autmix.com

Europe
+34 91 437 2618
sales.sp@autmix.com